

Vertical forming-, filling- and sealing machine for three- and four-side-sealed sachets

- The small machine with the high flexibility -



MP2



Pharmaceutical Industry



Cosmetics Industry



Food Industry



Chemicals Industry



Photo deviating from standard version



LIQUIDS (0,5 - 180 ml)

e.g. shampoo, cosmetics samples,
bath extracts, ice lollies, oil, coffee
cream, vaccines,...

CREAMS (0,5 - 180 ml)

e.g. skin cream samples, mustard,
mayonnaise, ketchup, grease, gel,...

TISSUE PACKING (in all sizes and any kind of impregnation)

e.g. swabs, refreshing tissues, glass
cleaning tissues, spectacles cleaning
tissues, double bags, cotton tissues, ...

POWDER AND GRANULES

(0,2 - 250 ml)

e.g. pharmaceutical products, salt,
sugar, spices, pudding, soups, milk
powder, cappuccino, instant coffee,
coffee creamer, baker's yeast, tobac-
co, detergents, spot removal salt,
seed,...

SMALL PIECE GOODS

e.g. sweets, nuts, saccharine tablets,
ball point pen cartridges, test stripes,
medical suture, ...

Vertical forming-, filling- and sealing machine for three- and four-side-sealed sachets

Type: MP2



Description of operation

The MP2 is a vertically operating, fully automatic forming-, filling- and sealing machine for the production of three- and four-side sealed sachets.

The machine processes flexible, laminated foils from one reel or alternatively from two reels. In a sequence of single operations, the film is drawn off from the reel, cut lengthwise in the middle, then the two halves are guided face to face by a deviation triangle and sealed in U-form.

The ready-made empty sachet is filled then, conveyed vertically by one sachet length, closed at the top and cut off.

At the same time, a photocell control assures the exact positioning of the print.

The MP2 is a universal basic machine for the bag production. In combination with different product supply systems and dosing units, a wide range of products can be packed.

Technical data

Sachet width standard	15 - 160 mm
Special sachet width	up to 240 mm
Sachet length	15 - 200 mm
Filling volume per sachet	0,2 ml - 250 ml
Capacity cycles/min*	0 - 100
Output sachet/min.	up to 100 per lane
Number of lanes	1 - 6
Diameter of film reel	max. 500 mm
Width of film reel	max. 520 mm
Diameter of film reel core	76 (152) mm
Sealing pressure	up to 20000 N
Air connection	6 bar
Wattage	approx. 4 KW
Voltage supply standard	400V/3/N/PE/50Hz
Protection class	IP 54
Weight	approx. 1000 kg
Colour standard	silver
Packaging material	all current, heat-sealable composite foils

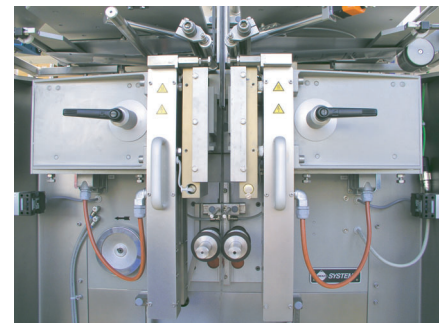
*Depending on product, filling quantity and packaging material

Technical details

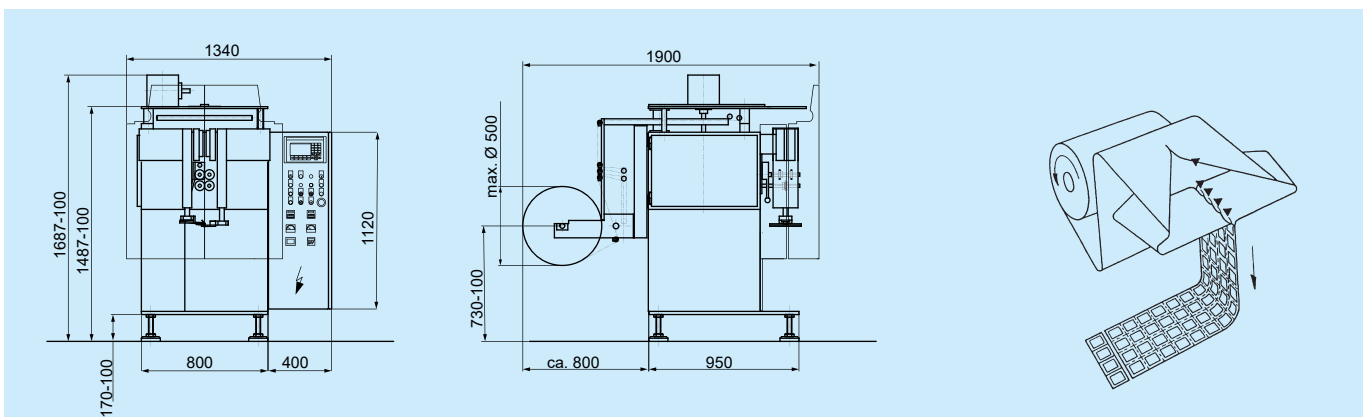
- ◆ Constructed in the building block system
- ◆ Compact small size design
- ◆ PLC - control Siemens S7
- ◆ Robust long-life construction
- ◆ Balcony construction according to GMP
- ◆ Product saving due to short drop distance
- ◆ Sealing station 90° moveable to both sides
- ◆ Quick format change
- ◆ Easy to operate
- ◆ Very low noise-level
- ◆ High sealing pressure, adjustable by hydraulic cylinder
- ◆ Easy to maintain - low maintenance
- ◆ Powerful, high output
- ◆ Excellent cost/performance ratio

Options

- ◆ Allen Bradley PLC and HMI
- ◆ Special electric voltage / transformer
- ◆ Punching device for tear notch or tearing groove
- ◆ Coding cold embossing in sealing seam
- ◆ Coding hot embossing, Thermo, Ink-Jet
- ◆ Contour punching, European standard perforation
- ◆ Automatic foil edge control
- ◆ Chain packages
- ◆ Gas flushing device
- ◆ Dust absorption system
- ◆ Bag collecting- and bag transfer-devices
- ◆ Subsequent packaging semi- or fully automatic
- ◆ Product supply systems
- ◆ Pharmaceutical construction



- ◆ Different types of feeding and dosing systems which can be changed easily are available for each range of use.
- ◆ Complete packaging lines
- ◆ Without PLC possible



Since 1971  Made in Germany