

Forming, filling and sealing machine

For smoke-free filter foil portion with oral tobacco
- 2 independent stations -



SB18-2T

Operative range:

- ◆ Small portion packages in filter foil

Range of products:

- ◆ „Dry tobacco“
- ◆ „Wet tobacco“
- ◆ „All white“
- ◆ „Powder“

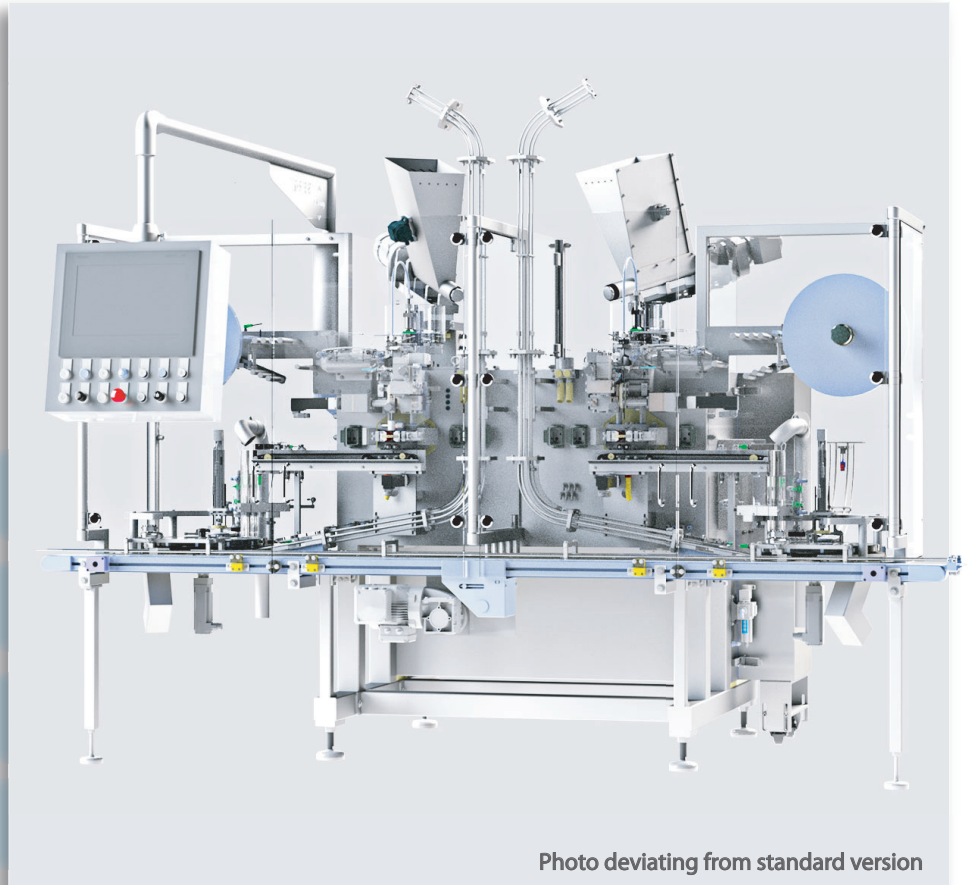


Photo deviating from standard version



„DRY TOBACCO“

Dry tobacco
Will possibly be moisturized
after packaging



„WET TOBACCO“

Humid tobacco
- With or without moistening
down the line



„ALL WHITE“

Nicotine powder

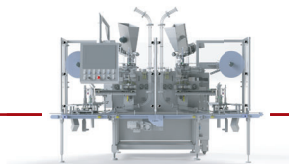
Forming, filling and sealing machine

Type: SB18-2T



MERZSYSTEM

Verpackungsmaschinen



Description of operation:

The packaging machine SB18-2T is a vertically operating, fully automatic forming, filling and sealing machine for the production of very small tubular bags, the so called "Stickpacks". The machine processes different types of fleece from the flat foil reel.

In a sequence of single operations, the film is drawn off from the reel, formed to a tube during transportation and sealed lengthwise, filled then, sealed transversally and cut off.

The SB18-2T is a machine with 2 lanes in one housing.

Technical Details

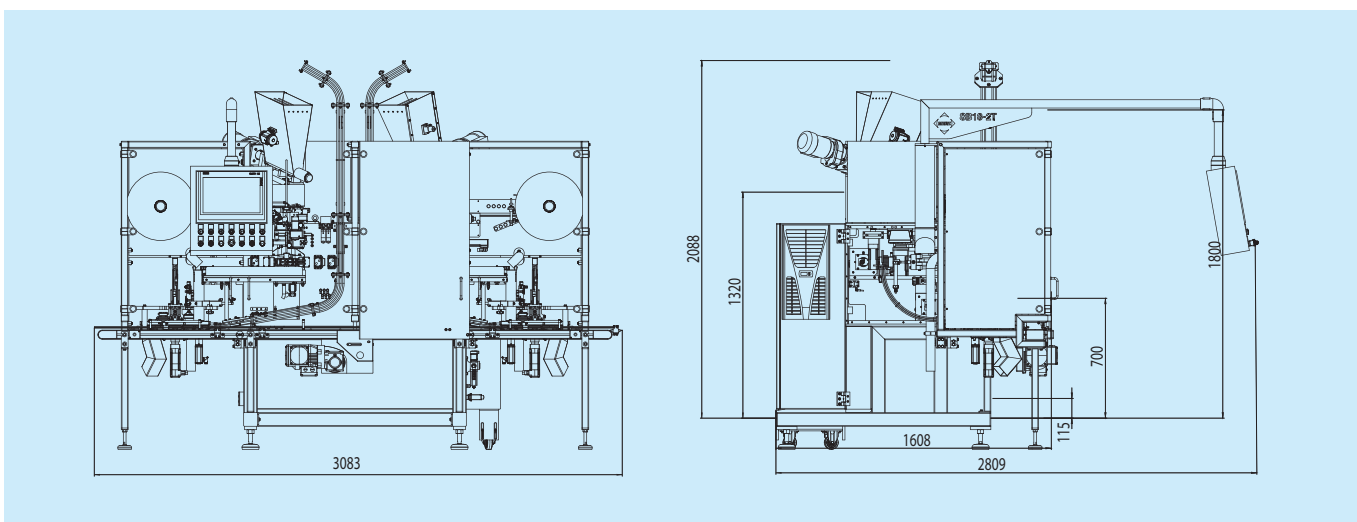
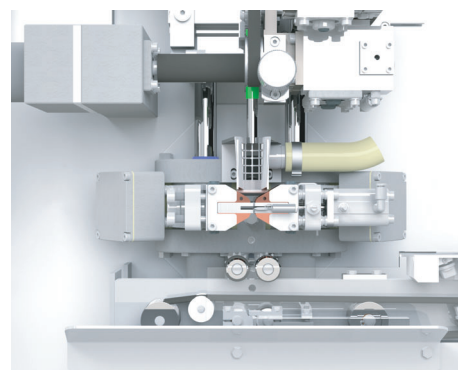
- ◆ Machine made of stainless steel
- ◆ Siemens PLC
- ◆ Foil monitoring (end + tear)
- ◆ Servo drive for
 - Vertical movement of the transverse sealing station
 - Horizontal movement of the sealing station
 - Foil tear off
 - Drive for dosing unit
 - Pouches conveyor belt
- ◆ Filling amount adjustable via HMI
- ◆ Moistening of Sticks adjustable
- ◆ Product monitoring + automatic refill
- ◆ - Stop- when need of product or foil
- ◆ Display of all malfunctions
- ◆ Output continuously adjustable (electromechanically)
- ◆ Counting of Sticks for boxes
- ◆ Box handling automatically
- ◆ Quick exchange forming set

Technical Data:

Bag width standard	12 / 14 / 18 mm
Special bag width	on request
Bag length	min. 30 mm max. 38 mm
Special bag length	up to 41 mm
Filling volume per bag	approx. 0,2 - 1,2 g adjustable
Output bags/min	approx. (2x450) = 900/min
Number of lanes	2 lanes, independent
Diameter of film reel	max. 400 mm
Width of film reel	70 / 76 mm
Sealing pressure	up to 1000 N
Air connection	6 bar
Electr. connected wattage	approx. 5,5 KW
Voltage supply standard	400V/3/N/PE/50Hz
Protection class	IP 54
Weight	approx. 1500 kg
Colour standard	stainless steel - alu
Packaging material	Nonwoven fleece, paper foils, special foils

Options

- ◆ Box and lid supply
- ◆ Can closing unit
- ◆ Labelling
- ◆ Check weighing
- ◆ Special execution:
 - Complete line with up to 4 double machines
- ◆ Allen Bradley control



Since 1971



Made in Germany