

Stickpack forming, filling and sealing machine

A fully automatic stickpack machine
for the production of all stickpack sizes and designs,
including longitudinal seal set to side
- 2 independent stations -



SBL50-2





-  Pharmaceutical industry
-  Cosmetics industry
-  Food industry
-  Chemicals industry



Photo deviating from standard version



LIQUIDS (0,5 - 100 ml)
e.g. shampoo, cosmetic samples,
bath extract, oil, coffee-cream,
sugarmilk, coffee-syrup, chocolate
drink, dressings, alcohol, vaccines,.....

CREAMS (0,5 - 100 ml)
e.g. skin cream samples, mustard,
mayonnaise, ketchup, yoghurt,
grease, soft cheese, butter, gel,....

POWDER (0,2 - 100 ml)
e.g. medical powders, pudding, milk
powder, baby food, coffee creamer,
tea, cappuccino,

GRANULES (0,2 - 100 ml)
e.g. pharmaceutical products, salt,
sugar, spices, soups, instant coffee,
baker's yeast, tobacco, tea, deter-
gents, spot removal salt, silicagel,
seed, ...

SMALL PIECE GOODS
e.g. sweets, nuts, saccharine tablets,
small sausages, test stripes, ear
stoppers,...

Stickpack forming filling and sealing machine

Type: **SBL50-2**



Description of operation

The packaging machine SBL50-2 is a vertically operating, fully automatic forming-, filling- and sealing machine for the production of very small tubular bags, the so called "Stickpacks". The machine processes flexible, composite films (foils) from the flat foil reel.

In a sequence of single operations, the film is drawn off from the reel, formed to a tube during transportation and sealed lengthwise, filled then, sealed transversally and cut off.

At the same time, a photocell control assures the exact positioning of the print.

The packaging machine SBL50-2 is conceived as a 1-lane basic machine for the production of bags, constructed as a double machine. This means that there are two machines in the housing which are operating independently from each other.

In combination with different product supply systems and dosing units, a wide range of products can be packed.

Technical Data

Bag width standard	12 - 50 mm
Bag length	20 - 200 mm
Filling volume per bag	0,1 ml - 100 ml
Capacity cycles/min* (2x)	0 - 80
Output bags/min	up to 160
Number of lanes	2 separate lanes
Diameter of film reel	max. 400 mm
Width of film reel	max. 111 mm
Diameter of film reel core	70/76 mm
Sealing pressure	up to 1000 N
Air connection	6 bar
Wattage	approx. 4 KW
Voltage supply standard	400V/3/N/PE/50Hz
Protection class	IP 54
Weight	approx. 900 kg
Colour standard	stainless steel - alu
Packaging material	all current, heat-sealable composite films

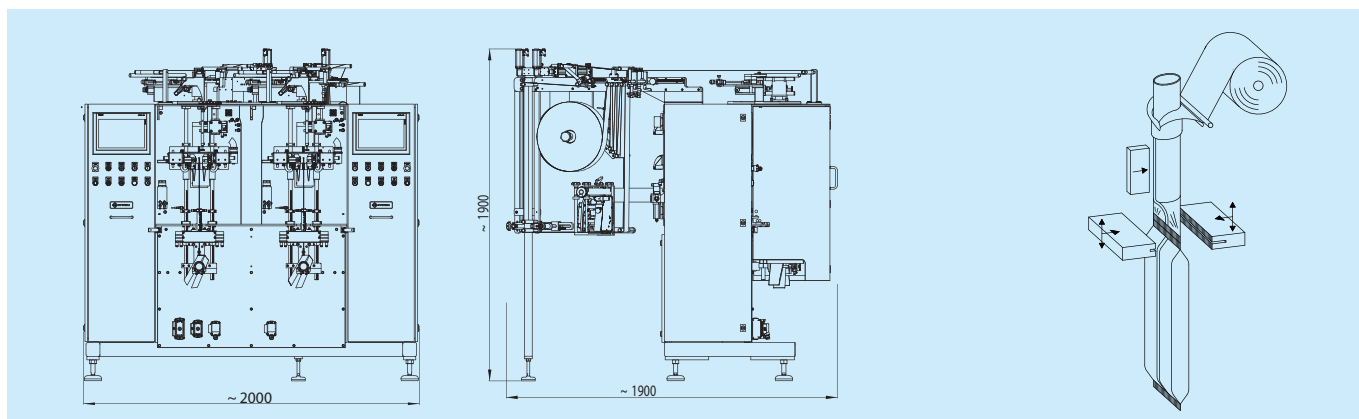
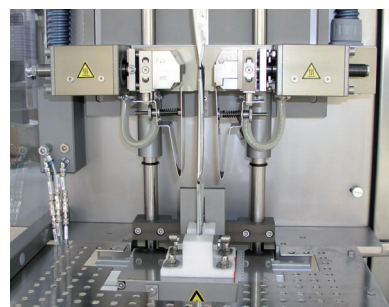
*Depending on product, filling quantity and packaging material

Technical Details

- ◆ Machine made entirely of stainless steel and aluminium, suitable for pharma and food products
- ◆ Continuous electromechanical main drive, + pneumatic parallel sealing drive
- ◆ Suitable for mechanical and photocell controlled bag draw-off by means of an up down movement of transverse sealing station
- ◆ Pneumatic cutting station for straight or perforated cut-off
- ◆ Sealing temperature left/right plus longitudinal separately adjustable
- ◆ Electrical bag counter, reset to zero possible
- ◆ Siemens PLC

Options

- ◆ Hot foil stamping or thermotransfer printing unit, alternatively inkjet
- ◆ Foil monitoring (end of reel or torn)
- ◆ Sealing pressure monitoring with or without documentation
- ◆ Bag counter and changeover flap
- ◆ Discharge conveyor belt
- ◆ Gas flushing
- ◆ Dust collection
- ◆ Continuous run / operation
- ◆ Transformer for special voltage



Since 1971  Made in Germany