

# Vertical forming, filling and sealing machine

For smoke-free filter foil portion packs with oral tobacco  
- 1 station -



## SBL50T

### Operative range:

- ◆ Small portion packages in filter foil

### Range of products: Oral tobacco

- ◆ „Dry tobacco“
- ◆ „Wet tobacco“
- ◆ „All white“
- ◆ „Powder“



Photo deviating from standard version



#### „DRY TOBACCO“

Dry tobacco  
Will possibly be moisturized  
after packaging

#### „WET TOBACCO“

Humid tobacco  
- With or without moistening  
down the line

#### „ALL WHITE“

Nicotine powder

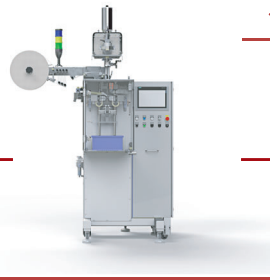
# Vertical forming, filling and sealing machine

## Type: SBL50T



**MERZSYSTEM**

Verpackungsmaschinen



### Description of operation

The packaging machine SBL50T is a vertically operating, fully automatic forming, filling and sealing machine for the production of very small tubular bags, the so called "Stickpacks". The machine processes flexible fleece or paper films (foils) from the flat foil reel.

In a sequence of single operations, the film is drawn off from the reel, formed to a tube during transportation and sealed lengthwise, filled then, sealed transversally and cut off. The packaging machine SBL50T is a 1 lane machine.

### Technical Data:

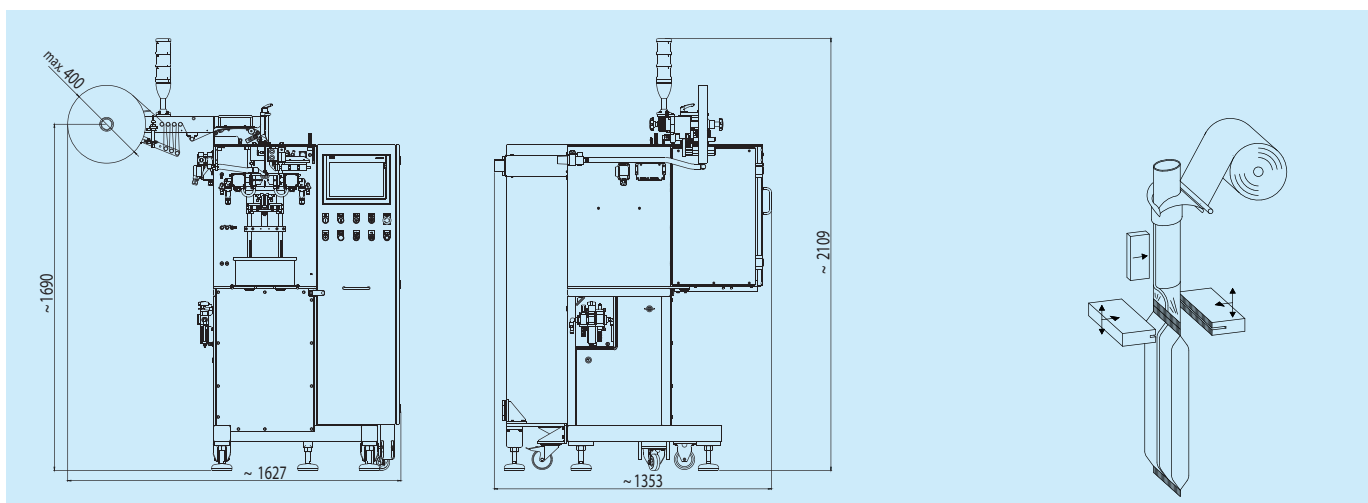
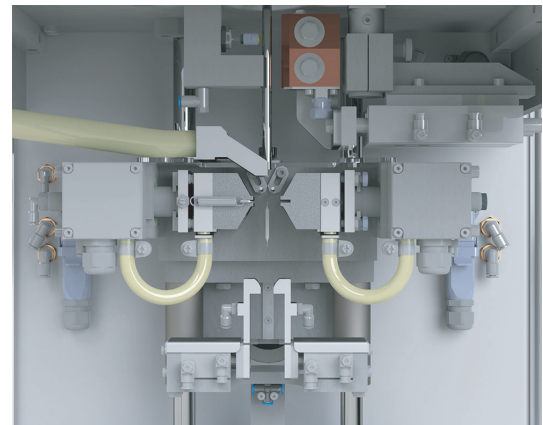
|                            |   |
|----------------------------|---|
| Bag width standard         | 12 / 14 / 18 mm                             |
| Bag length                 | 20 - 50 mm                                  |
| Filling volume per bag     | 0,2 - 1,2 g adjustable                      |
| Capacity cycles/min*       | 0 - 100                                     |
| Output bags/min            | approx. 100                                 |
| Number of lanes            | 1   |
| Diameter of film reel      | max. 400 mm                                 |
| Diameter of film reel core | 70 / 76 mm                                  |
| Sealing pressure           | up to 1000 N                                |
| Air connection             | 6 bar                                       |
| Electr. connected wattage  | approx. 3 KW                                |
| Voltage supply standard    | 400V/3/N/PE/50Hz                            |
| Protection class           | IP 54                                       |
| Weight                     | approx. 500 kg                              |
| Colour standard            | stainless steel - alu                       |
| Packaging material         | Nonwoven fleece, paper foils, special foils |

### Technical Details

- ◆ Machine made of stainless steel and aluminum
- ◆ Continuous electromechanical main drive, + pneumatic parallel sealing drive
- ◆ Sealing temperature left / right and lengthways separately adjustable
- ◆ Electrical bag counter, reset to zero possible
- ◆ Siemens PLC
- ◆ Foil monitoring (end + tear)

### Options

- ◆ Sealing pressure monitoring
- ◆ Bag counter and changeover flap
- ◆ Discharge conveyor belt
- ◆ Dust collection
- ◆ Allen Bradley PLC
- ◆ Transformer for special voltage
- ◆ Box and lid supply
- ◆ Can closing unit



Since 1971  Made in Germany