

Stickpack forming, filling and sealing machine

A fully automatic stickpack machine for the production of all stickpacks sizes and designs, including longitudinal seal set to side or three-side sealed bags.



SBL50



Pharmaceutical industry



Cosmetics industry



Food industry



Chemicals industry



Photo deviating from standard version



LIQUIDS (0,5 - 100 ml)
e.g. shampoo, cosmetic samples, bath extract, oil, coffee-cream, sugarmilk, coffee-syrup, chocolate drink, dressings, alcohol, vaccines,.....

CREAMS (0,5 - 100 ml)
e.g. skin cream samples, mustard, mayonnaise, ketchup, yoghurt, grease, soft cheese, butter, gel,....

POWDER (0,2 - 100 ml)
e.g. medical powders, pudding, milk powder, baby food, coffee creamer, tea, cappuccino,

GRANULES (0,2 - 100 ml)
e.g. pharmaceutical products, salt, sugar, spices, soups, instant coffee, baker's yeast, tobacco, tea, detergents, spot removal salt, silicagel, seed, ...

SMALL PIECE GOODS
e.g. sweets, nuts, saccharine tablets, small sausages, test stripes, ear stoppers,...

Stickpack forming filling and sealing machine

Type: **SBL50**



Description of operation

The packaging machine SBL50 is a vertically operating, fully automatic forming-, filling- and sealing machine for the production of very small tubular bags, the so called "Stickpacks". The machine processes flexible, composite films (foils) from the flat foil reel.

In a sequence of single operations, the film is drawn off from the reel, formed to a tube during transportation and sealed lengthwise, filled then, sealed transversally and cut off.

At the same time, a photocell control assures the exact positioning of the print.

The packaging machine SBL50 is conceived as a 1-lane basic machine for the bag production. In combination with different product supply systems and dosing units, a wide range of products can be packed.

Technical Data

Bag width standard	12 - 50 mm
Bag length	20 - 200 mm
Filling volume per bag	0,1 ml - 100 ml
Capacity cycles/min*	0 - 80
Output bags/min	up to 80
Number of lanes	1 lane
Diameter of film reel	max. 400 mm
Width of film reel	max. 111 mm
Diameter of film reel core	70/76 mm
Sealing pressure	up to 1000 N
Air connection	6 bar
Wattage	approx. 2 KW
Voltage supply standard	400V/3/N/PE/50Hz
Protection class	IP 54
Weight	approx. 500 kg
Colour standard	stainless steel - alu
Packaging material	all current, heat-sealable composite films

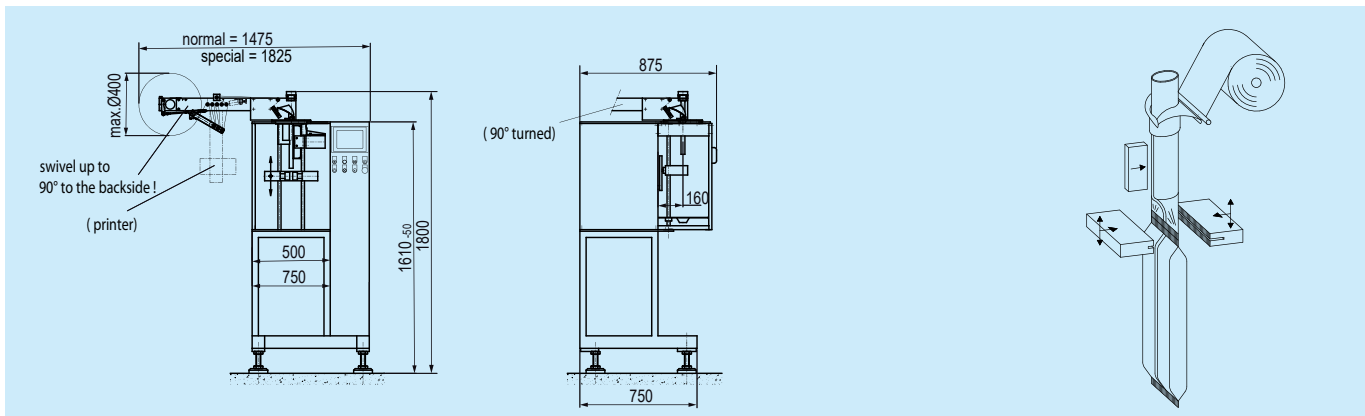
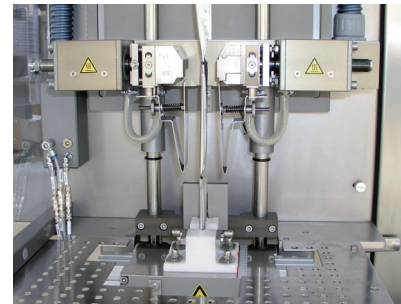
*Depending on product, filling quantity and packaging material

Technical Details

- ◆ Machine complete in stainless steel and aluminium, suitable for pharma and food products
- ◆ Continuous electromechanical main drive, + pneumatic parallel sealing drive
- ◆ Suitable for mechanical and photocell controlled bag draw-off by means of an up-down movement of transverse sealing station
- ◆ Pneumatic cutting station for straight or perforated cut-off
- ◆ Sealing temperature left/right plus longitudinal separately adjustable
- ◆ Electrical bag counter, reset to zero possible
- ◆ Siemens PLC

Options

- ◆ Hot foil stamping or thermotransfer printing unit alternatively inkjet
- ◆ Foil monitoring (end of reel or torn)
- ◆ Sealing pressure monitoring with or without documentation
- ◆ Bag counter and changeover flap
- ◆ Discharge conveyor belt
- ◆ Gas flushing
- ◆ Dust collection
- ◆ Continuous run / operation
- ◆ Allen Bradley PLC
- ◆ Transformer for special voltage



Since 1971  Made in Germany