

## Vertical - Micro - Auger Dosing Unit

for the dosage of powders and grinded granules,  
the compact unit for operation on 1 or up to 4 lanes



**MERZSYSTEM**

Verpackungsmaschinen

### SD230



Pharmaceutical industry



Cosmetics industry



Food industry



Chemicals industry

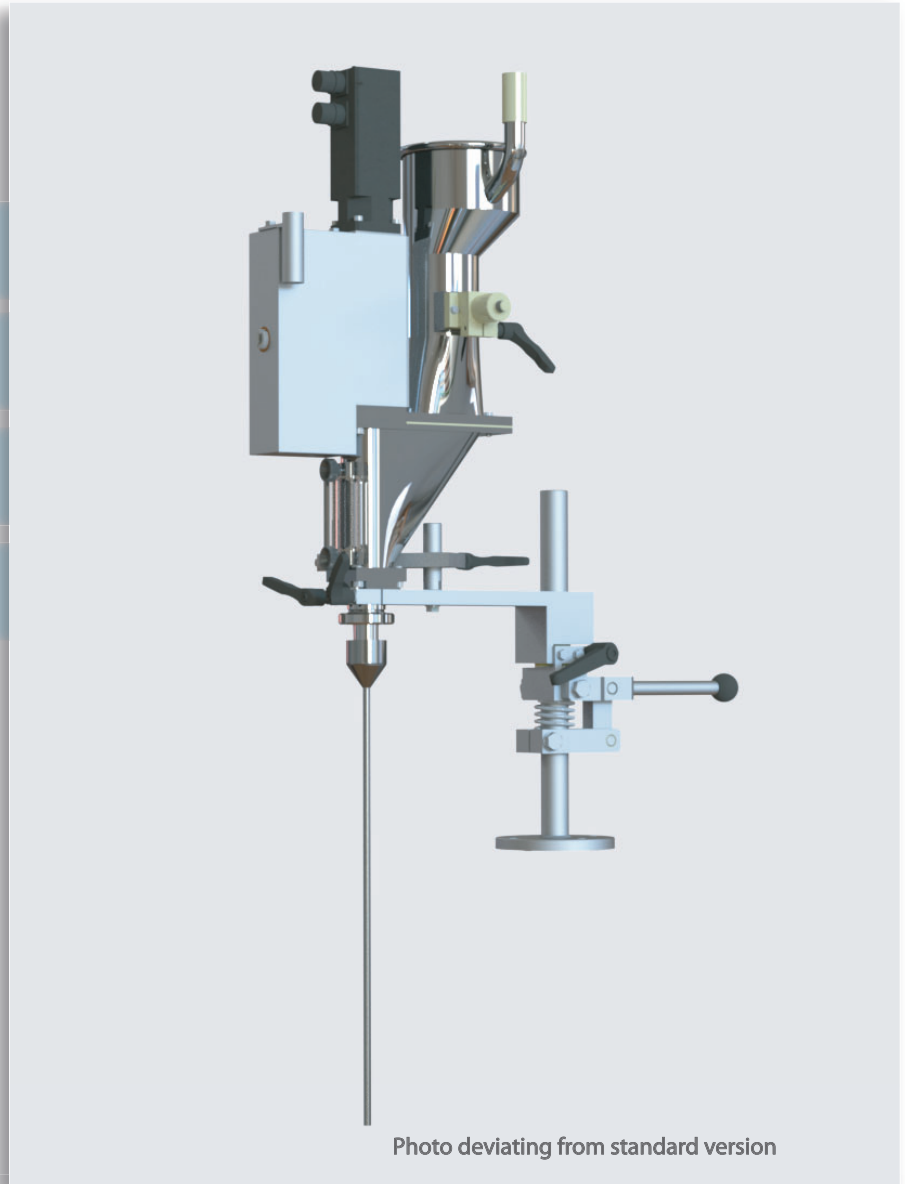


Photo deviating from standard version

### Range of products:

#### **POWDER AND GRANULES**

from 0,5 ml - approx.50 ml

e.g. pharmaceutical products, salt, sugar, spices, soups powder, milk powder, cappuccino, instant coffee, coffee creamer, baker's yeast, detergents, spot removal salt, seed, ...



**MERZSYSTEM**

Verpackungsmaschinen

Since 1971



Made in Germany

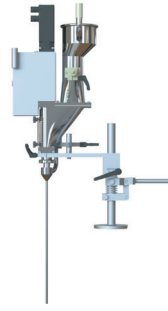
MERZ Verpackungsmaschinen GmbH · Carl-Benz-Ring 42 · 35423 Lich, Germany

Phone +49 6404 9172-0

mail@merz-system.de · www.merz-system.de

# Vertical-Micro-Auger-Dosing -Unit

## Type: SD230



### Description of operation:

The auger dosing machine type 230 is a vertically operated dosing unit. Due to its compact construction, it can be used as a multiplex dosing unit but also as a simplex dosing unit. Each dosing unit has got its individual main drive.

Two optional variants are available:

- Three-phase motor with frequency control
- Servomotor with servo control system

The electric power supply and control is effected either by a central switch cabinet of the packaging machine or by the switch cabinet assigned to the respective dosing unit. The auger dimensions result from the product quality, the sachet size and the required output. The easy auger exchange is ensured by a standard connection. When installed on a packaging machine, the dosing auger can give doses into a filling tube or directly into the sachet.

### Technical Data:

Dosing ranges	from 0,5ml up to 50ml
Output	up to 180 doses/min
Wattage	approx. 0,18 KW / lane
Voltage supply	400V/3/N/PE/50Hz
Netzanschluss auf Wunsch	230 V 1 phasig
Protection class	IP 54
Weight	approx. 13 kg
Colour standard	Stainless steel- Alu

### Technical Details:

- ◆ Constructed in the building block system
- ◆ Compact, robust, long-life construction
- ◆ For augers from Ø8 up to max. Ø20 mm
- ◆ All parts in contact with the product are made of stainless steel or another approved material
- ◆ Quick and simple cleaning
- ◆ Use as single unit or multi-lane use (from min. dimensions 60mm!)
- ◆ With adjustable auger speed range 700-2500 rpm/min.
- ◆ For cycle speeds up to 3 per second
- ◆ Quick format change
- ◆ Low-maintenance
- ◆ The machine meets the current CE - guidelines

### Options:

- ◆ Tendentious control in combination with a weighing unit
- ◆ Controlled horizontal supply auger
- ◆ Ventilation and gas flushing devices
- ◆ Special sets of dosing augers
- ◆ Different systems to close the auger tube, e.g. end cut-off device for free flowing products

