

Strip supply ACTIV STICKPACK®

Supply of desiccant strip sealed into the foil of the Stickpack, suitable for moisture-sensitive products.



MERZSYSTEM

Verpackungsmaschinen

SZ730



Pharmaceutical industry



Cosmetics industry



Food industry



Chemicals industry

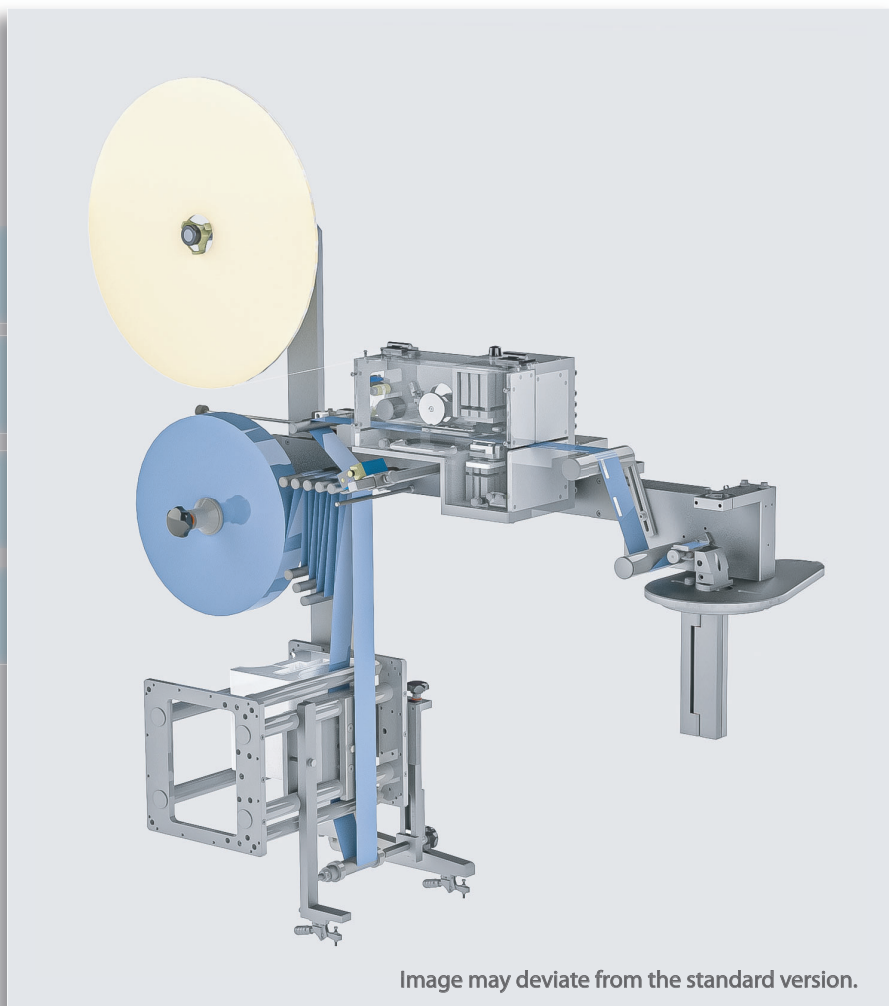
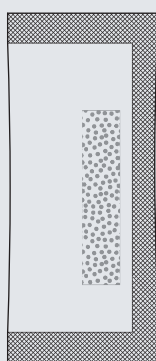


Image may deviate from the standard version.

Activ Stickpack®
with desiccant strip
sealed in



Range of products:

- ◆ Tablets
- ◆ Micro tablets
- ◆ Pellets
- ◆ Granules
- ◆ Powders



MERZSYSTEM
Verpackungsmaschinen

Since 1971

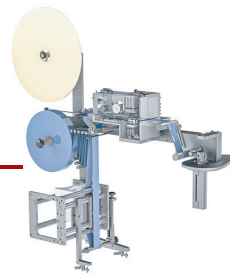


Made in Germany

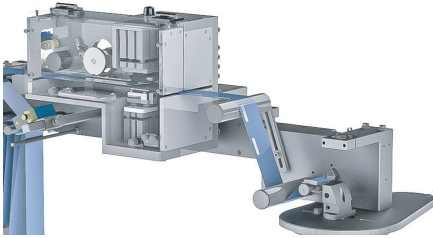
MERZ Verpackungsmaschinen GmbH · Carl-Benz-Ring 42 · 35423 Lich, Germany
Phone: +49 6404-9172-0
mail@merz-system.de · www.merz-system.de

Strip supply ACTIV STICKPACK®

Type: SZ730



Description of operation:



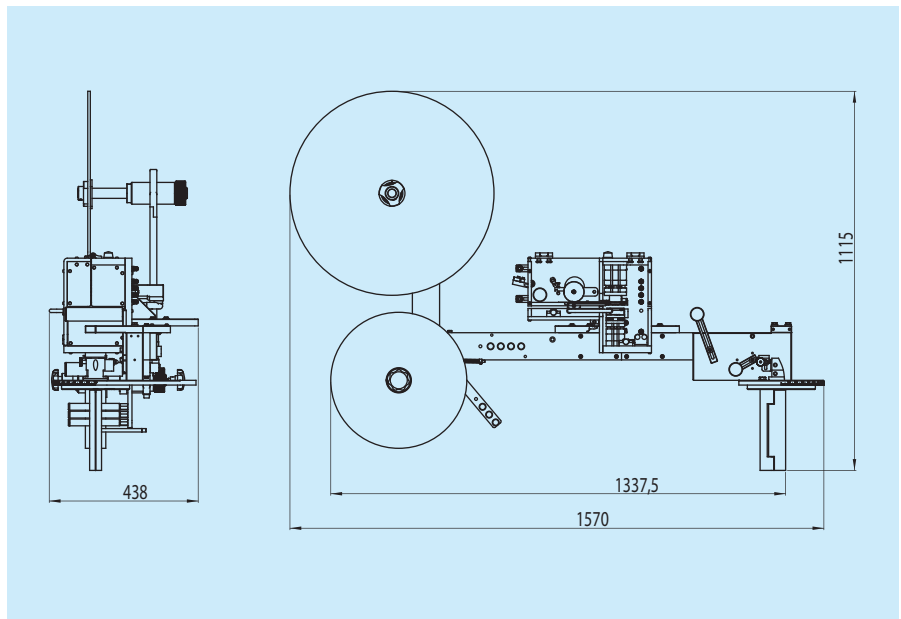
Technical Data:

| | |
|----------------------------------------|--------------------|
| Stickpack - length: | 40-100 mm |
| Width of Stickpack - transversal seam: | 28-50 mm |
| Strip thickness | 0,3-1 mm |
| Strip width | 5-10 mm |
| Strip length | 30-80 mm |
| Speed of strip supply | max. 30 cycles/min |

In the strip supply, a desiccant strip is cut to length and simultaneously glued onto the inside of the foil of the Stickpack.

The desiccant strip is then located inside the Stickpack. It protects moisture-sensitive pharma products.

The foils used offer better protection against moisture than the thermoformed packs (blister packs) that are already known because the Stickpack has an aluminium barrier all around. Standard foils can be used.



Since 1971  Made in Germany



MERZ Verpackungsmaschinen GmbH · Carl-Benz-Ring 42 · 35423 Lich, Germany
Phone: +49 6404-9172-0
mail@merz-system.de · www.merz-system.de